

**BALDOR® • RELIANCE** 

**Product Information Packet**

**YPC344A**

**.5HP, 1625RPM, 1PH, 60HZ, 48YZ, 3414C, TEAO, F1**

Part Detail							
Revision:	F	Status:	PRD/A	Change #:		Proprietary:	No
Type:	AC	Elec. Spec:	34WGR236	CD Diagram:	CD0798	Mfg Plant:	
Mech. Spec:	34M195	Layout:	34LYM195	Poles:	04	Created Date:	10-21-2014
Base:	YP	Eff. Date:	11-12-2018	Leads:	5#18		

Specs			
Catalog Number:	YPC344A	KVA Code:	D
Enclosure:	TEAO	Lifting Lugs:	No Lifting Lugs
Frame:	48YZ	Locked Bearing Indicator:	No Locked Bearing
Frame Material:	Steel	Motor Lead Quantity/Wire Size:	5 @ 18 AWG
Output @ Frequency:	.500 HP @ 60 HZ	Motor Lead Exit:	Terminal Panel Or Lead Hole
Synchronous Speed @ Frequency:	1800 RPM @ 60 HZ	Motor Lead Termination:	None
Voltage @ Frequency:	115.0 V @ 60 HZ	Motor Type:	3414C
XP Class and Group:	None	Mounting Arrangement:	F1
XP Division:	Not Applicable	Product Family:	General Purpose
Agency Approvals:	UR	Pulley End Bearing Type:	Ball
	CSA	Pulley Face Code:	Standard
Auxillary Box:	No Auxillary Box	Pulley Shaft Indicator:	Standard
Auxillary Box Lead Termination:	None	Rodent Screen:	None
Base Indicator:	Yoke Pedestal	RoHS Status:	ROHS COMPLIANT
Bearing Grease Type:	Polyrex EM (-20F +300F)	Shaft Extension Location:	Pulley End
Blower:	None	Shaft Ground Indicator:	No Shaft Grounding
Current @ Voltage:	5.100 A @ 115.0 V	Shaft Rotation:	Reversible: Connected Standard
Design Code:	-	Shaft Slinger Indicator:	Shaft Slinger

<b>Drip Cover:</b>	No Drip Cover	<b>Speed Code:</b>	Single Speed
<b>Duty Rating:</b>	CONT	<b>Motor Standards:</b>	NEMA
<b>Electrically Isolated Bearing:</b>	Not Electrically Isolated	<b>Starting Method:</b>	Direct on line
<b>Feedback Device:</b>	NO FEEDBACK	<b>Thermal Device - Bearing:</b>	None
<b>Front Face Code:</b>	Terminal Panel	<b>Thermal Device - Winding:</b>	None
<b>Front Shaft Indicator:</b>	None	<b>Vibration Sensor Indicator:</b>	No Vibration Sensor
<b>Heater Indicator:</b>	No Heater	<b>Winding Thermal 1:</b>	Automatic Thermal Overload
<b>Insulation Class:</b>	B	<b>Winding Thermal 1 Location:</b>	WG
<b>Inverter Code:</b>	Not Inverter	<b>Winding Thermal 2:</b>	None

<b>Nameplate NP1257L</b>	
<b>CAT.NO.</b>	YPC344A
<b>SPEC.</b>	34M195R236G1
<b>HP</b>	.5
<b>VOLTS</b>	115
<b>AMP</b>	5.1
<b>RPM</b>	1625
<b>FRAME</b>	48YZ
<b>SER.F.</b>	1.00
<b>NEMA-NOM-EFF</b>	
<b>RATING</b>	40C AMB-CONT
<b>CC</b>	
<b>DE</b>	6203
<b>ENCL</b>	TEAO
<b>CODE</b>	D
<b>DES</b>	-
<b>CL</b>	B
<b>PH</b>	1
<b>PF</b>	
<b>ODE</b>	6203
<b>SN</b>	
<b>HZ</b>	60
<b>USABLE AT 208V</b>	

Parts List		
Part Number	Description	Quantity
SA288577	SA 34M195R236G1	1.000 EA
RA274766	RA 34M195R236G1	1.000 EA
OC3030F14SP	CYL OIL CAP 30MFD/370V AEROVOX 1 3/4 X	1.000 EA
RM1001A01	GROMMET "MIDSTATES"	1.000 EA
WD4100A42	CAPLUG BPF-3/4, FOR 1/2" NPT OR 3/4 HOLE	1.000 EA
11XW0832G06	#8-32 X 3/8, TAPTITE II, HEX WSHR SLTD	1.000 EA
34EP3204D01	SPL FR ENDPLATE 34L - ENCL	1.000 EA
51XW0832A07	8-32 X .44, TAPTITE II, HEX WSHR SLTD SE	3.000 EA
HW5100A03	WAVY WASHER (W1543-017)	1.000 EA
33CB4800A02	CAPACITOR COVER, STAMPED	1.000 EA
35GS3001A02	GASKET, CA.COVER, 5.38 LONG .06 CS301	1.000 EA
34GS5003	FOAM SLEEVE, ID = 2 1/16" X 3 3/8"	1.000 EA
51XB1016A05	10-16X5/16HX WA SL SR TYB (F/S)	2.000 EA
34EP3109D01	PU ENDPLATE, MACH ENCL, 5.125 B.C.	1.000 EA
XY0832A02	8-32 HEX NUT	4.000 EA
34CB4501SP	TERMINAL BOX LID, STAMPED X (PLATED)	1.000 EA
34GS1005	GASKET, TERM PLATE LID	1.000 EA
51XW0832A07	8-32 X .44, TAPTITE II, HEX WSHR SLTD SE	2.000 EA
HA1005A05SP	SLINGER, OD 1.50, ID .659, 203 BRG	1.000 EA
HW1000A08	#8 SAE FLAT WASHER	4.000 EA
MG1000G27	MED CHARCOAL METALLIC GREY 400-0096	0.014 GA
85XU0407S04	4X1/4 U DRIVE PIN STAINLESS	2.000 EA
WD1000A16	2-520128-2 AMP FLAG TERMINAL(4M/RL)	5.000 EA
SP5076SP	MODEL 34 TERMINAL PANEL WITH QUICK CONNE	1.000 EA

<b>Parts List (continued)</b>		
<b>Part Number</b>	<b>Description</b>	<b>Quantity</b>
HA3169A25	THRUBOLT #8-32 THDS X 8.688" LONG	4.000 EA
LB1118	LABEL,WARNING (ROLL LABEL)	1.000 EA
LC0085	CONNECTION LABEL	1.000 EA
NP1257L	ALUM UL CSA CC THERMAL REV MTG	1.000 EA
MN416A01	TAG-INSTAL-MAINT no wire (1200/bx) 3/19	1.000 EA
ML14-8C18	18 AWG, 8,RED	10.000 IN
WD1000A16	2-520128-2 AMP FLAG TERMINAL(4M/RL)	2.000 EA
36PA1000	PKG GRP, PRINT PK1016A06	1.000 EA
PK3083	STYROFOAM PACKING CRADLE	1.000 EA
PK3088	MICROFOAM, 8"X"8 PERF. SHEETS 5,400/RL	1.000 EA

**AC Induction Motor Performance Data**

Record # 49836 - Typical performance - not guaranteed values

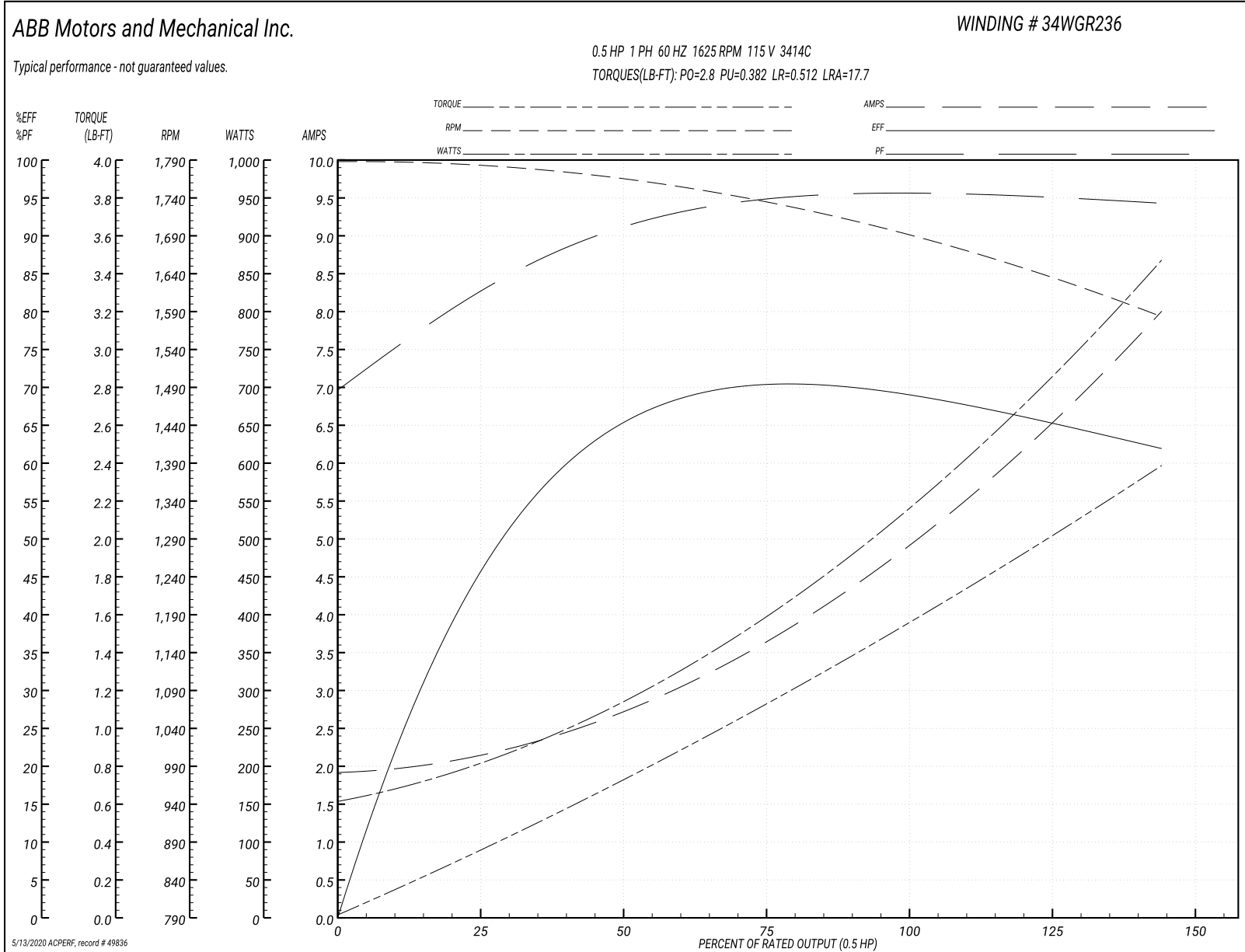
<b>Winding:</b> 34WGR236-R001	<b>Type:</b> 3414C	<b>Enclosure:</b> TEAO
-------------------------------	--------------------	------------------------

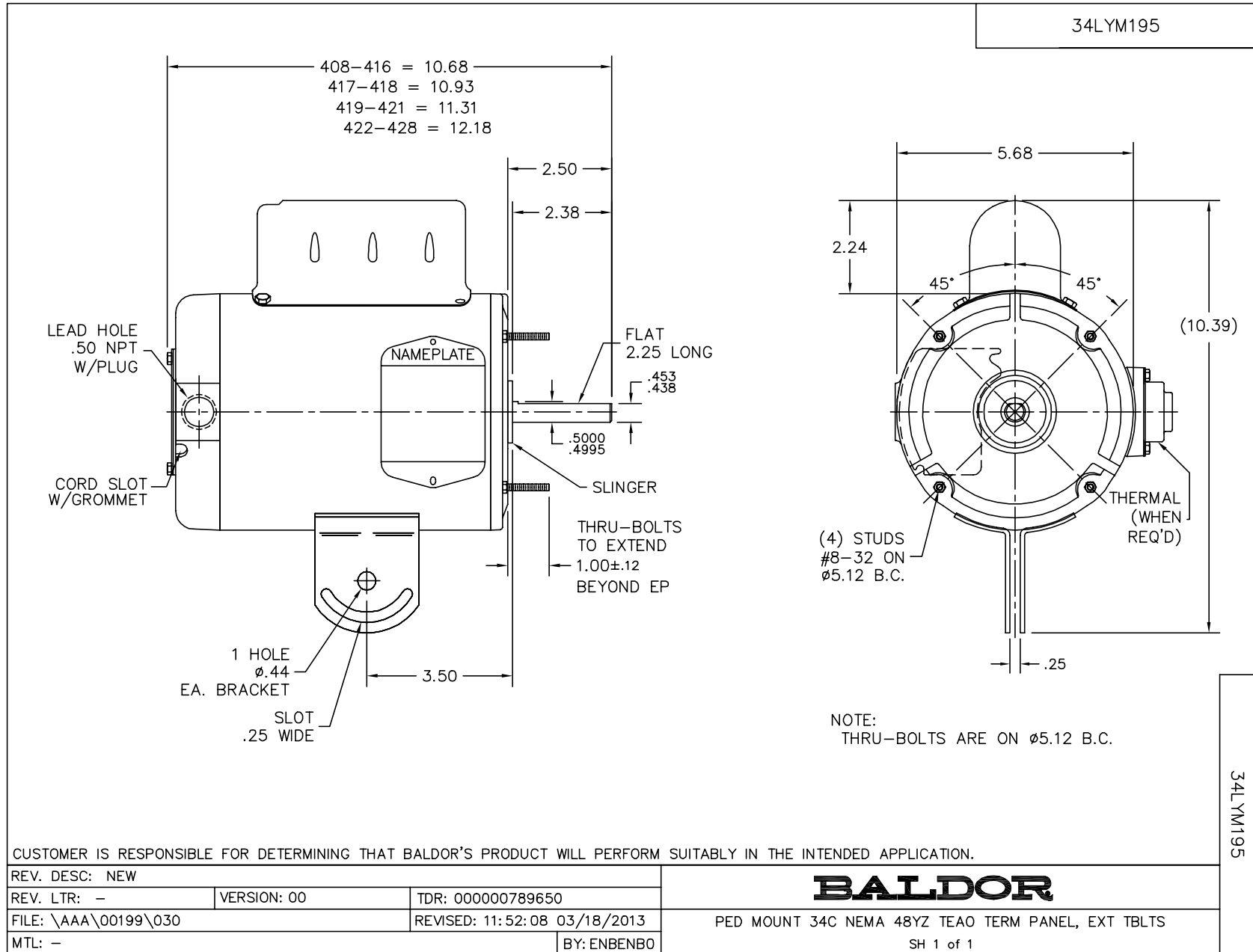
Nameplate Data				115 V, 60 Hz: Single Voltage Motor	
Rated Output (HP)	.5			Full Load Torque	1.62 LB-FT
Volts	115			Start Configuration	direct on line
Full Load Amps	5.1			Breakdown Torque	2.8 LB-FT
R.P.M.	1625			Pull-up Torque	0.382 LB-FT
Hz	60	Phase	1	Locked-rotor Torque	0.512 LB-FT
NEMA Design Code	-	KVA Code	D	Starting Current	17.7 A
Service Factor (S.F.)	1			No-load Current	1.75 A
NEMA Nom. Eff.	0	Power Factor	0	Line-line Res. @ 25°C	2.1667 Ω A Ph 5.2933 Ω B Ph
Rating - Duty	40C AMB-CONT			Temp. Rise @ Rated Load	

Load Characteristics 115 V, 60 Hz, 0.5 HP

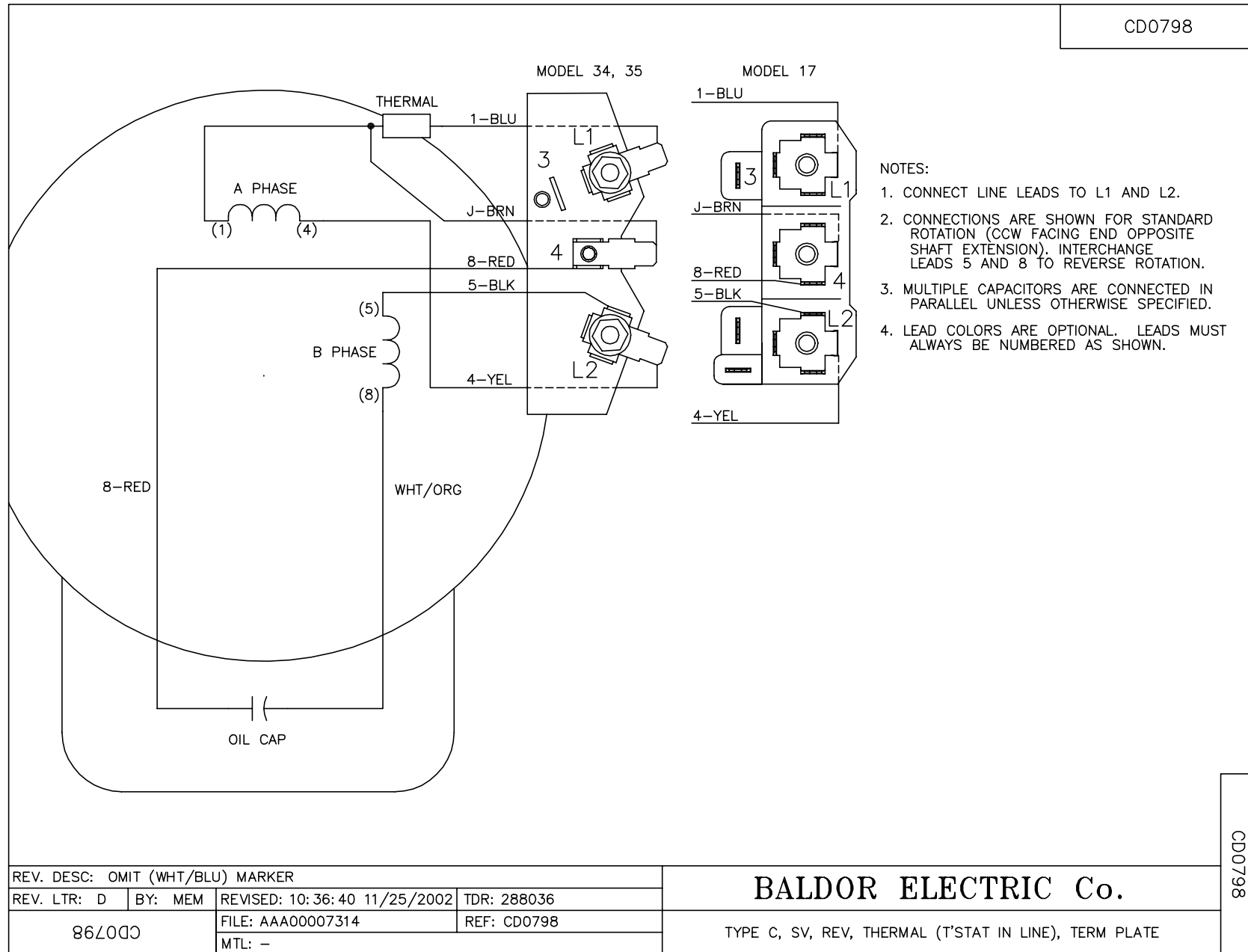
% of Rated Load	25	50	75	100	125	150
Power Factor	87	92	95	96	95	94
Efficiency	42.3	63.6	70.2	70.9	68.3	59.6
Speed	1769.5	1751.8	1725.8	1692.3	1650.7	1563.7
Line amperes	2.36	2.99	3.94	5.02	6.3	8.34

Performance Graph at 115V, 60Hz, 0.5HP Typical performance - Not guaranteed values





CD0798



CD0798

REV. DESC: OMIT (WHT/BLU) MARKER			
REV. LTR: D	BY: MEM	REVISED: 10:36:40 11/25/2002	TDR: 288036
86Z000		FILE: AAA00007314	REF: CD0798
		MTL: -	

**BALDOR ELECTRIC Co.**

TYPE C, SV, REV, THERMAL (T'STAT IN LINE), TERM PLATE